

AGS 104095096015

August 03, 2017

Shape and Style **Round Brilliant**

Measurements: 5.36 - 5.41 x 3.32 mm

Cut Grade **AGS Ideal 0**

Color Grade **AGS 3.0 (J)**

Clarity Grade **AGS 3 (VS1)**

Carat Weight **0.593 cts.**

Comments

Fluorescence: Negligible

Diamond Quality™ Document

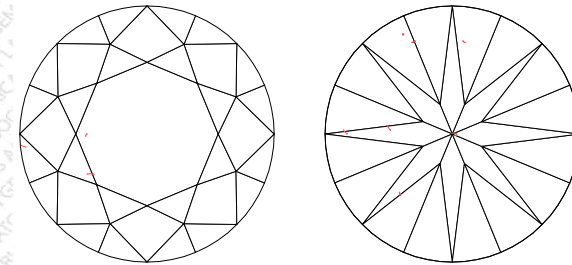
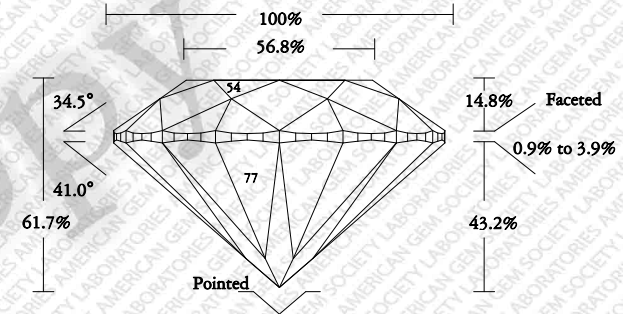
Round Brilliant  
0.593 cts.

Light Performance 0  
Proportion Factors 0  
Finish 1  
Polish Excellent  
Symmetry Ideal

Performance-Based

IMPORTANT NOTICE:

All three quality factors of Cut, Color, and Clarity can dramatically affect the beauty and value of a diamond. Because of cutting, diamonds with the same color and clarity grades can vary in value by as much as 50% or more. Therefore, it is advisable to consult a Certified Gemologist® or other credentialed gemologist, before purchasing this Diamond.



THIS DOCUMENT IS  
NOT A WARRANTY,  
GUARANTEE, OR  
APPRAISAL OF VALUE.

Key to Symbols

- Feather
- Chip
- Pinpoint



**PLOT INFORMATION:** The Clarity grade is diagrammed using the clarity symbols contained in the *AGS Diamond Standards Manual*. Red marks indicate inclusions; green marks indicate external blemishes.

Cut Scale	0		1		2		3			4		5		6			7		8		9		10	
	AGS Ideal		AGS Excellent		AGS Very Good		AGS Good			AGS Fair		AGS Fair			AGS Fair		AGS Fair		AGS Fair		AGS Poor		AGS Poor	
Color Scale	0	0.5	1.0	1.5	2.0	2.5	3.0	3.5	4.0	4.5	5.0	5.5	6.0	6.5	7.0	7.5	8.0	8.5	9.0	9.5	10.0	To	Fancy Yellow	
	D	E	F	G	H	I	J	K	L	M	N	O	P	Q	R	S	T	U	V	W	X	Y	Z	Fancy Yellow
	COLORLESS			NEAR COLORLESS				FAINT			VERY LIGHT				LIGHT									
Clarity Scale	0		1		2		3		4		5		6		7		8		9		10			
	FLAWLESS / IF		VVS1		VVS2		VS1		VS2		SI1		SI2		I1		I2		I3					

ORIGINAL